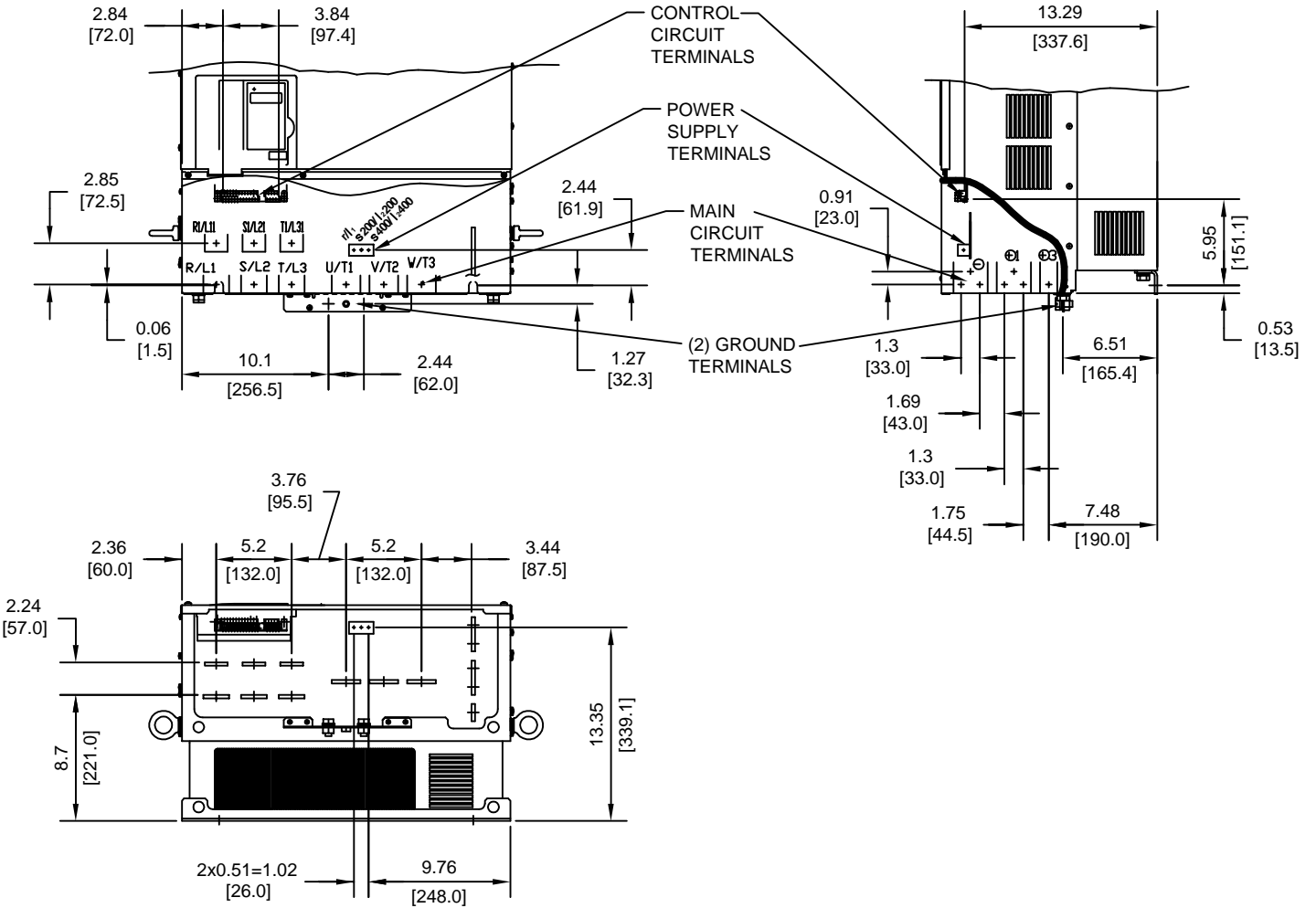




TERMINAL AND WIRING DETAILS (SCALE 1:12)



TERMINAL SPECIFICATIONS FOR  
MAIN CIRCUIT AND GROUND

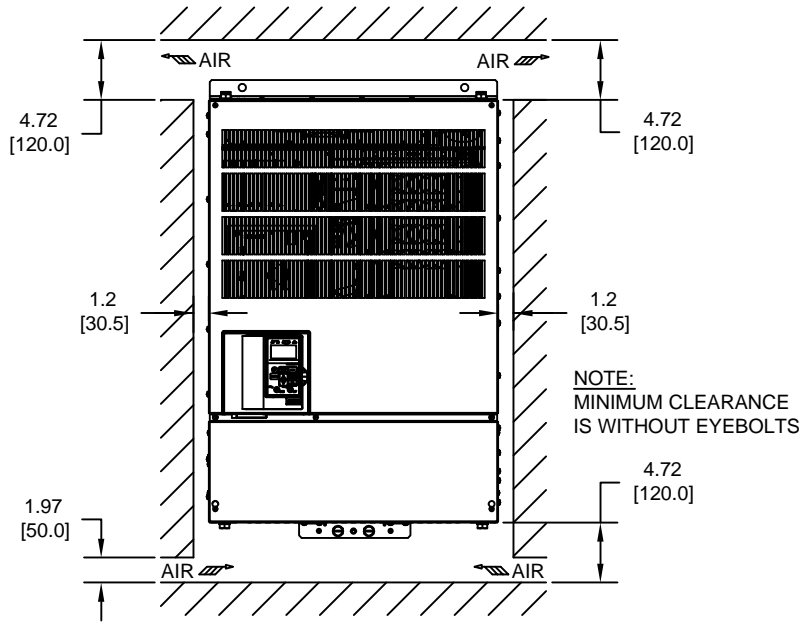
MODEL #	TERMINAL SYMBOL	TERMINAL SCREW	CLAMPING TORQUE lb.in.(N.m.)
4160	R/L1, S/L2, T/L3, ⊕1, ⊕2 U/T1, V/T2, W/T3, R1/L11, S1/L21, T1/L31	M12	276 TO 345 (31.4 TO 39.2)
	⊕3	M8	78.0 TO 95.0 (8.8 TO 10.8)
	r1 1, s200/220, s400/240	M4	11.4 TO 12.3 (1.3 TO 1.4)

NOTE: REFER TO APPLICABLE CODES FOR PROPER WIRE TYPE AND SIZE

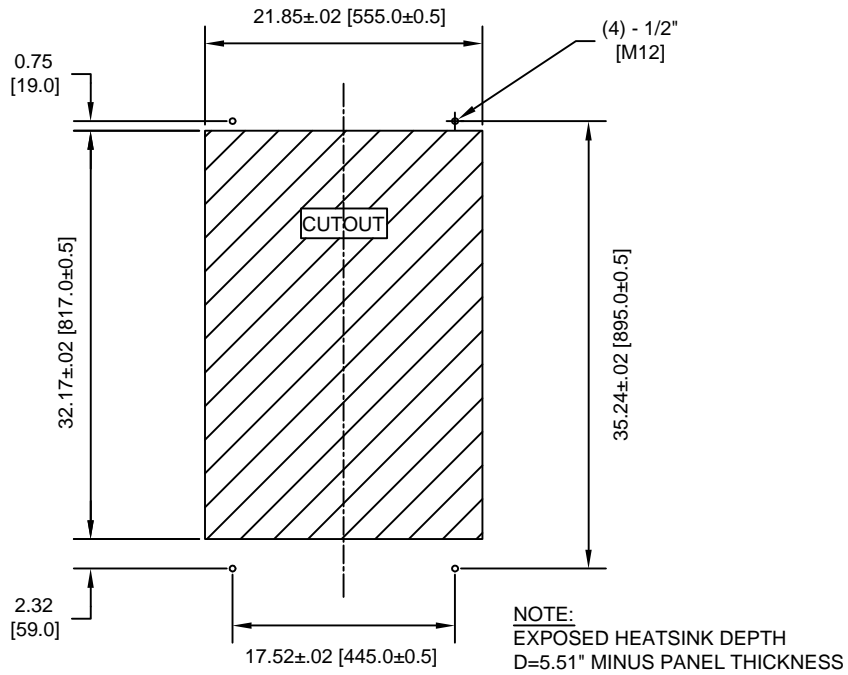
FOR ADDITIONAL DETAILS AND SPECIFICATIONS, CONSULT MANUAL

TOLERANCES/REFERENCES: -	<p><b>YASKAWA</b> A World of Automation Solutions™</p> <p>YASKAWA ELECTRIC AMERICA, INC. Corporate Headquarters 2121 Norman Drive South Waukegan, IL 60085 1-800-YASKAWA http://www.yaskawa.com</p>	DRAWN: J. MATTAS	DATE 5-2-05	TITLE: E7 DIMENSION DRAWING		
		CHECKED: M. RUCINSKI	DATE 6-5-05	FRAME SIZE 13		
UNITS: IN[mm]	SCALE: BY VIEW	TECH: J. CAIRO	DATE 5-4-05	SIZE A	REVISION R01	PAGE 2 of 3
		APPROVED: T. SASADA	DATE 6-8-05	DRAWING #: DD.E7.FR13.IP00.01		
		ORIGINAL DESIGN: -	DATE -			

MINIMUM INSTALLATION CLEARANCES (SCALE 1:15)



PANEL CUTOUT FOR EXTERNAL HEATSINK MOUNTING CONFIGURATION (SCALE 1:15)



FOR ADDITIONAL DETAILS AND SPECIFICATIONS, CONSULT MANUAL

TOLERANCES/REFERENCES: - - - - - - - - - -		<p><b>YASKAWA</b> A World of Automation Solutions™</p> <p><b>YASKAWA ELECTRIC AMERICA, INC.</b> Corporate Headquarters 2121 Norman Drive South Waukegan, IL 60085 1-800-YASKAWA http://www.yaskawa.com</p>	DRAWN: J. MATTAS	DATE 5-2-05	TITLE: E7 DIMENSION DRAWING		
UNITS: IN[mm]	SCALE: BY VIEW		CHECKED: M. RUCINSKI	DATE 6-5-05	FRAME SIZE 13		
		TECH: J. CAIRO	DATE 5-4-05	IP00 ENCLOSURE			
		APPROVED: T. SASADA	DATE 6-8-05	SIZE A	REVISION R01	PAGE 3 of 3	
		ORIGINAL DESIGN: -	DATE -	DRAWING #: DD.E7.FR13.IP00.01			